

PRO KNEE® WHAT SIZE DO I HAVE?

Been a while since you ordered a pair of ProKnee?
Good. We like it that way.
Follow these easy steps to order correctly sized
replacement parts or rebuild kits.

MODEL
0714

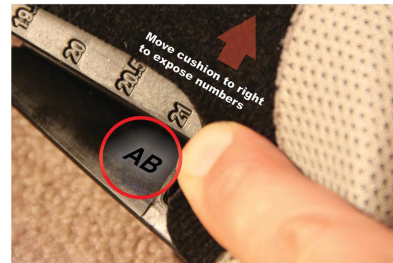


MODEL 0714® STANDARD
Sold from 2014 to present

MODEL 0714E® WIDE
Sold from 2014 to present



STEP 1. Place kneepad as shown and push cushion to right to expose numbers as indicated by red box.



STEP 2. The number that lines up with "AB" is the size of your kneepad.



STEP 1. Place kneepad as shown and refer to area indicated by red box.

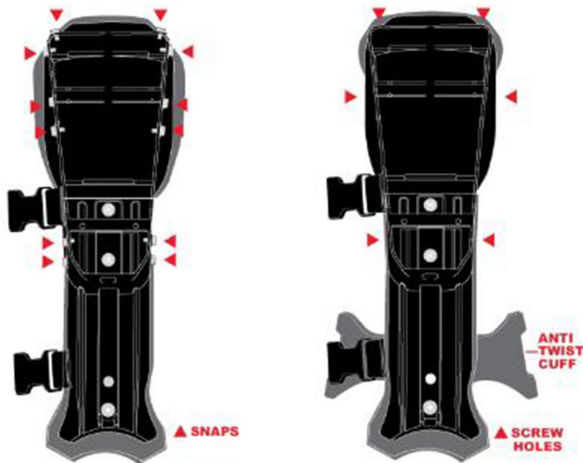


STEP 2. Engraving indicates your AB size. If no engraving, go to Step 3.



STEP 3. Measure distance from bottom edge of white boot to arc of frame as indicated above. Match your measurement to size chart shown below.

ORIGINAL
MODEL™
& **07**



ORIGINAL MODEL
Sold from 1989 to 2007

MODEL 07
Sold from 2007 to 2014

AB SIZE CHART Original & Model 07 Only

3 in = AB 17.5	7½ in = AB 22
3½ in = AB 18	8 in = AB 22.5
4 in = AB 18.5	8½ in = AB 23
4½ in = AB 19	9 in = AB 23.5
5 in = AB 19.5	9½ in = AB 24
5½ in = AB 20	10 in = AB 24.5
6 in = AB 20.5	10½ in = AB 25
6½ in = AB 21	11 in = AB 25.5
7 in = AB 21.5	