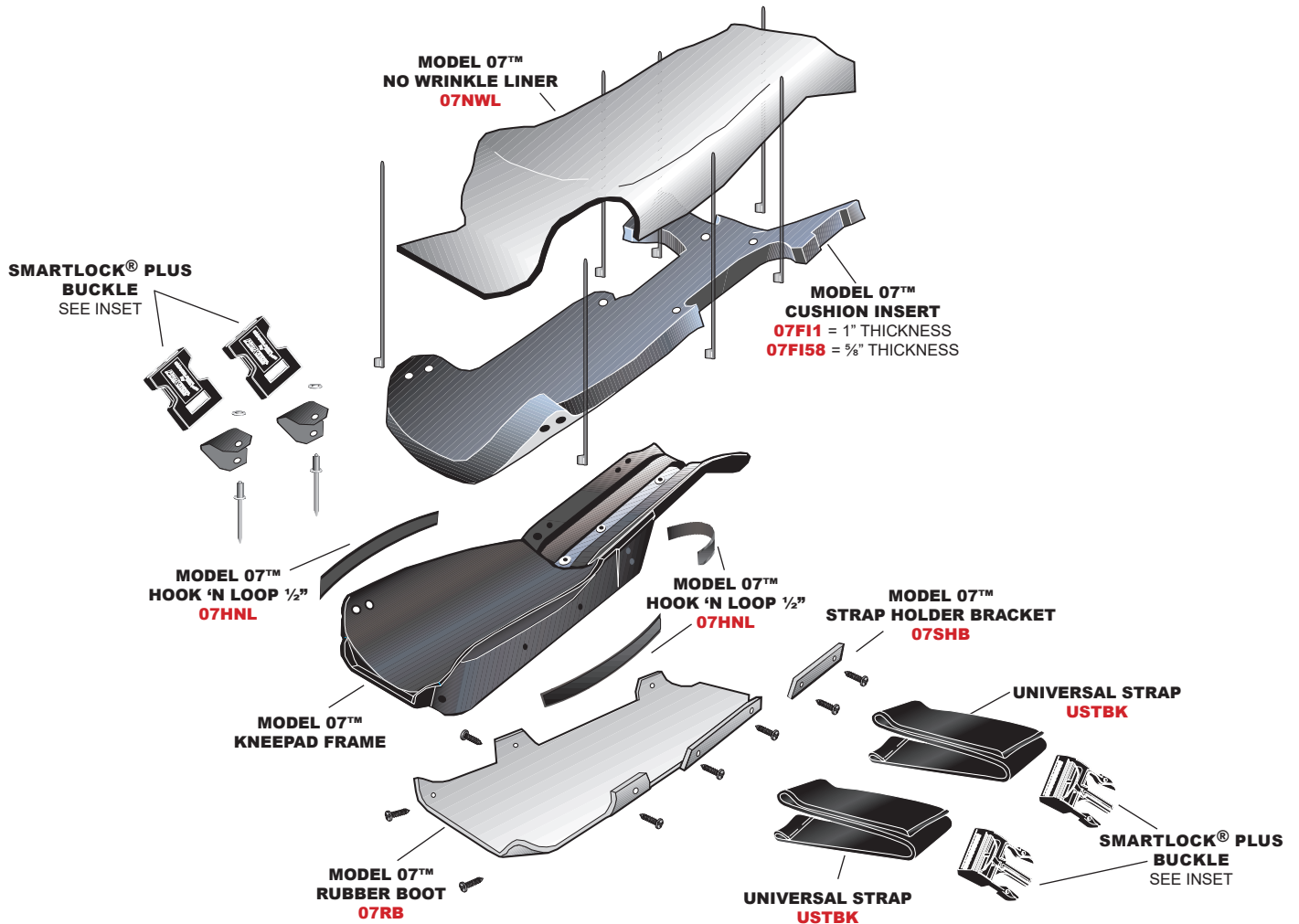


Please refer to this model number when ordering parts.

SKU CODES DENOTED IN RED FOR ORDER EFFICIENCY



Works with all custom fit models past & present and replaces all straps with hook 'n loop".  
 For custom length, cut excess strap length & leave 3". Singe cut end with lighter to prevent fraying.  
 \*Straps with hook 'n loop available for purchase upon special order request

**INSET**

LOCK

MALE END      FEMALE END

**SMARTLOCK® PLUS BUCKLE**  
**SLPB**

Compatible with  
**ORIGINAL/MODEL 07™**  
**BUCKLE HARDWARE KIT**  
**BHK-B**

RIVET  
 WASHER  
 LEATHER PIECE (DOG TAG)

LONGER BUCKLE SLOT IS USED TO ATTACH BUCKLE TO MODEL 07 (OUTLINED IN RED). SHORTER SLOT FACES OUT.