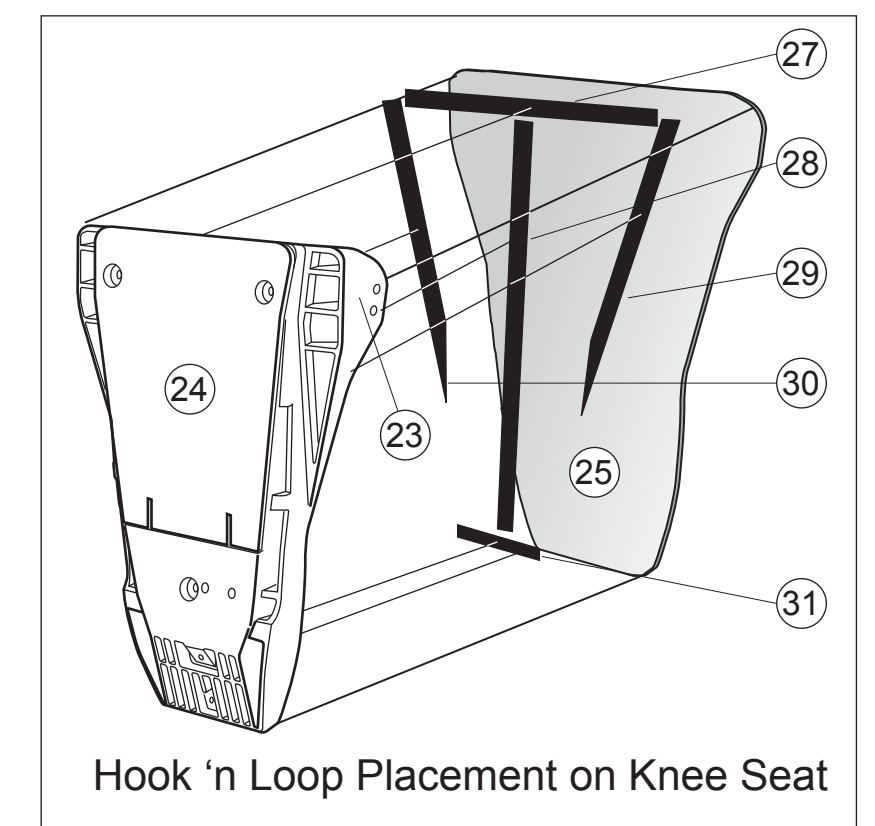
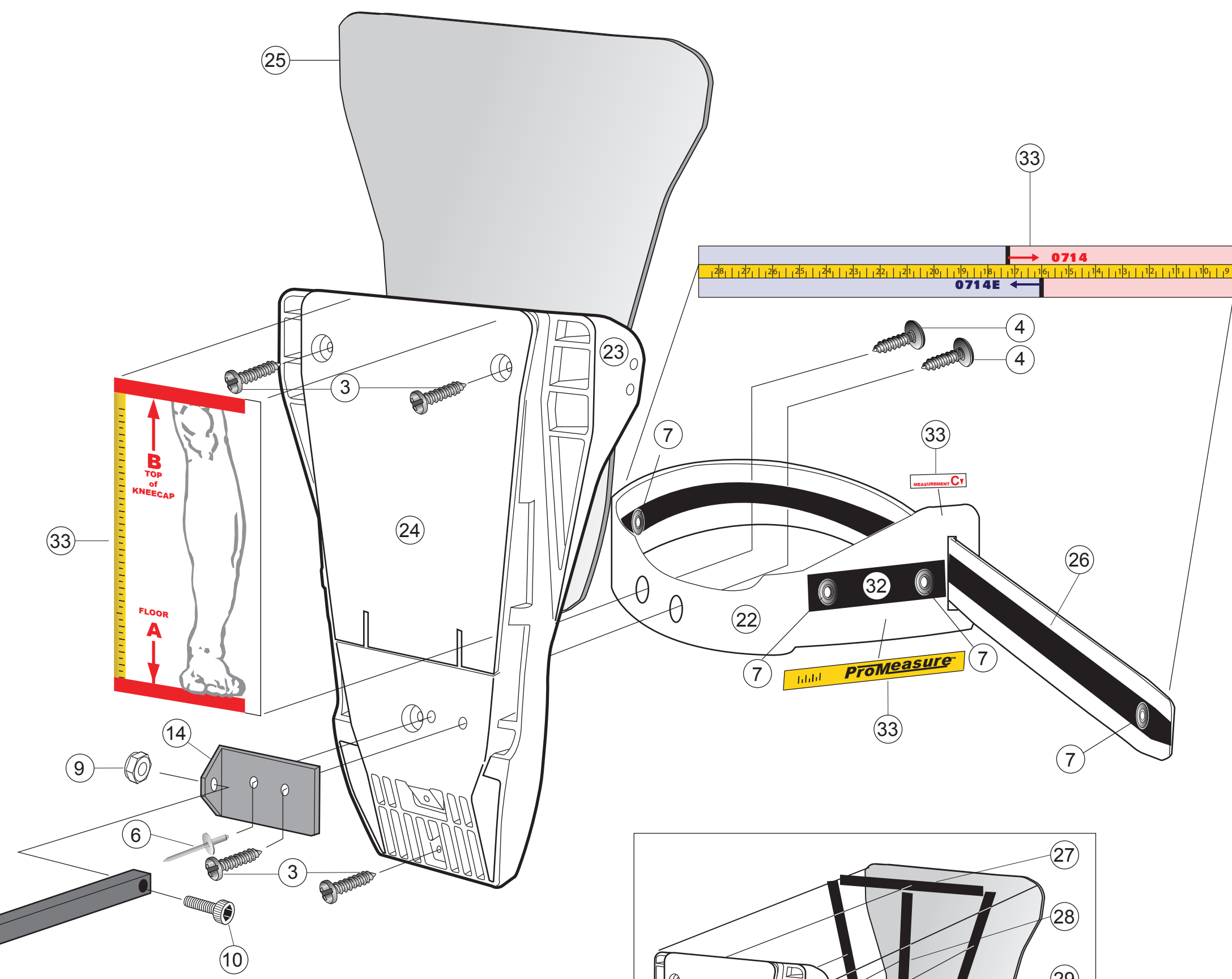
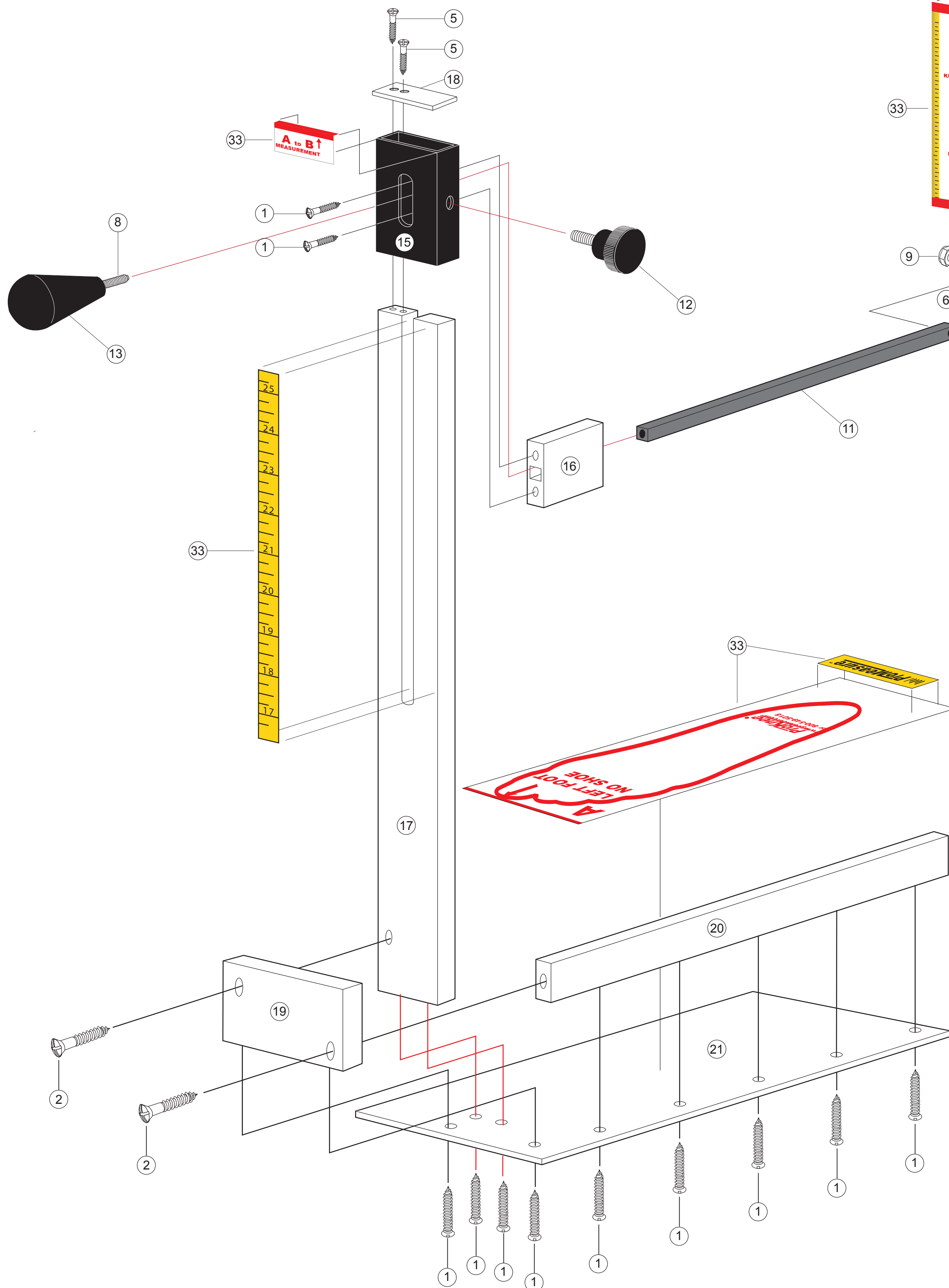


# ProMeasure™

by ProKnee®

## ASSEMBLY and PARTS



- 1 - #8 X 3/4" Flat Head Screw (11)
- 2 - #8 X 1-1/4" Flat Head Screw (2)
- 3 - #10 X 1/2" Pan Head Screw (4)
- 4 - #10 X 5/8" Truss Head Screw (2)
- 5 - #6 X 1/2" Zink Flat Head Screw (2)
- 6 - 3/16" Blind SS Rivet (1)
- 7 - #0 Grommet-Nickle Plate (4)
- 8 - Threaded Rod 1/4-20 X 1" (1)
- 9 - 1/4"/20 Nylon Lock Nut (1)
- 10 - 1/4"/20 Allen Head Cap Screw (1)
- 11 - 3/8" X 3/8" X12" Square Steel Rod (1)
- 12 - 1" Round Knob 1/4-20 X 1" Stud (1)
- 13 - 1-5/8" Tapered Knob (1)
- 14 - Pivot Mount (1)
- 15 - Slide Block Tube (1)
- 16 - Slide Block Bushing (1)
- 17 - Guide Bar (1)
- 18 - Cap plate (1)
- 19 - Back Block (1)
- 20 - Side Rail (1)
- 21 - Base (1)
- 22 - Cuff (1)
- 23 - Knee Seat (1)
- 24 - Boot Plate (1)
- 25 - Liner (1)
- 26 - 1/2" X19 3/4" Hook 'n Loop (1)
- 27 - 1/2" X 6 1/2" Hook 'n Loop (1)
- 28 - 1/2" X 10 1/4" Hook 'n Loop (1)
- 29 - 1/2" X 9" Hook 'n Loop (1)
- 30 - 1/2" X 9" Hook 'n Loop (1)
- 31 - 1/2" X 2 1/4" Hook 'n Loop (1)
- 32 - 3/4" X 3 1/2" Hook 'n Loop (1)
- 33 - Decals - 8 piece set (1)