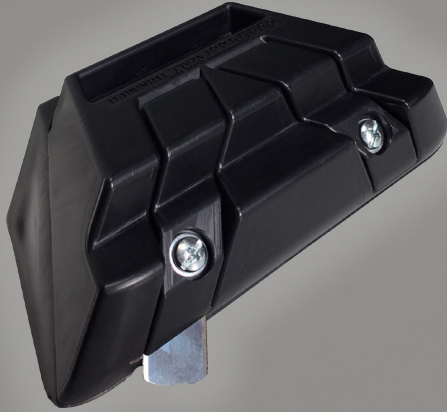


**ProKnee**<sup>®</sup> SINCE 1989  
MADE IN USA  
INNOVATION YOU CAN TRUST

**GoofProof**<sup>®</sup>  
WALL TRIMMER  
PATENTED WORLDWIDE



**NEW FEATURES INCLUDE:**

- THREADED STEEL INSERTS AND HARDWARE
- AUTOMATIC BLADE DEPTH ADJUSTMENT STOP
- SUPER STRONG MOLDED PLASTIC FRAME COMPONENTS

**PLUS:**

- TRIMS SOFT SHEETGOODS, COVEBASE TOE AND CARPET EASILY IN ONE PASS
- USES STANDARD SLOTTED BLADES
- USE WITH LEFT OR RIGHT HAND

**BEGINNER TO  
PROFESSIONAL  
CUTS IN UNDER  
60 SECONDS!**

➔ SEE THE **GoofProof**<sup>®</sup> IN ACTION ON YouTube SEARCH: **MR.PROKNEE**

# PRO KNEE<sup>®</sup> GOOFPROOF<sup>®</sup> WALL TRIMMER

**GoofProof<sup>®</sup>**  
WALL TRIMMER



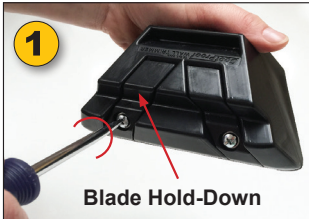
**Technical specifications:**

Gross Weight: 8.95 oz  
Dimensions: 6.125" Length x 2.25" Height x 3.5" Width

**Performance:**

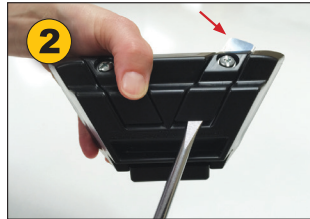
- Cuts direct glue down carpet and inflexible carpet perfect the first time
- Beginner to professional cuts in under 60 seconds
- Trims soft sheetgoods, cove base toe and carpet easily in one pass
- Patented design feels like an extension of your hand
- Use with left or right hand

**SET-UP:**



**1** Loosen Blade. Hold Down-Screw 1/4 turn.

Blade Hold-Down



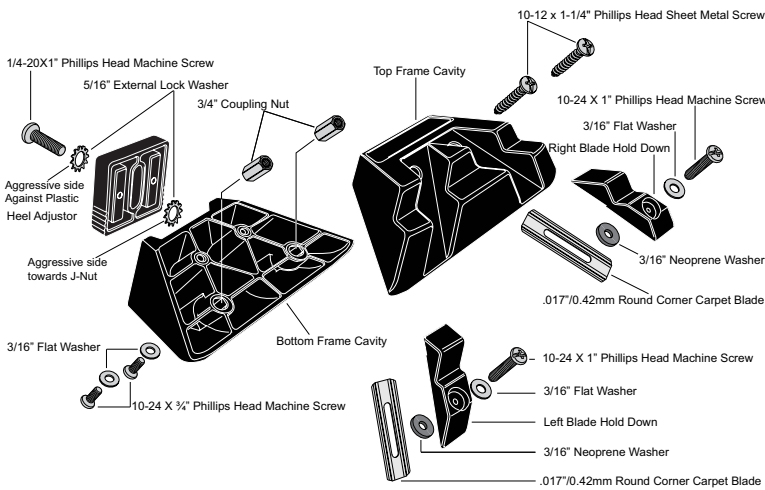
**2** Insert screwdriver into slot, pushing blade until screwdriver automatically stops. Then tighten Blade Hold-Down screw.



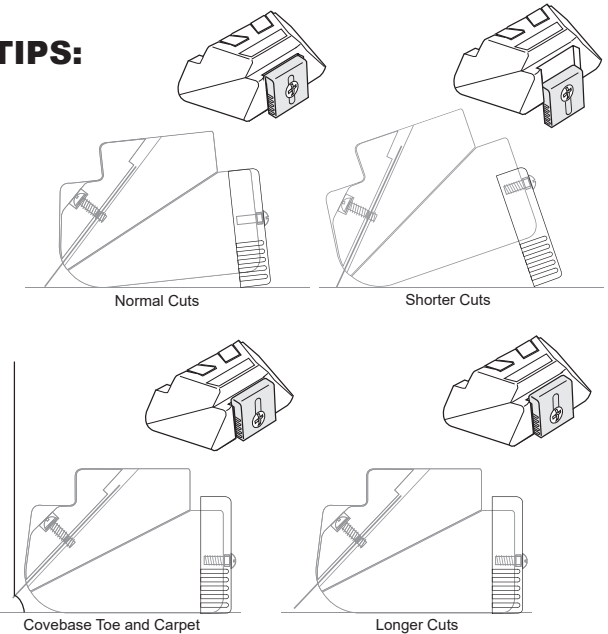
**3** Loosen screw and move Heel Adjuster down until blade contacts surface. Then tighten screw.

Heel Adjuster

**EXPLODED VIEW & ASSEMBLY:**



**TIPS:**



**USE ON**

- DIRECT GLUE DOWN CARPET
- INFLEXIBLE CARPET
- CARPET TILES
- SOFTSHEET GOODS
- COVE BASE TOE
- ALL TYPES OF RUBBER

**NOT FOR USE ON**

- STRETCH IN CARPET
- HARD WOODS
- CERAMICS

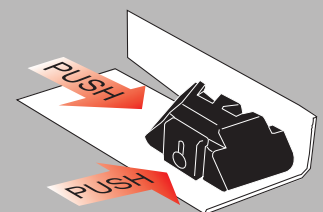


Illustration above shows left hand cutting position.