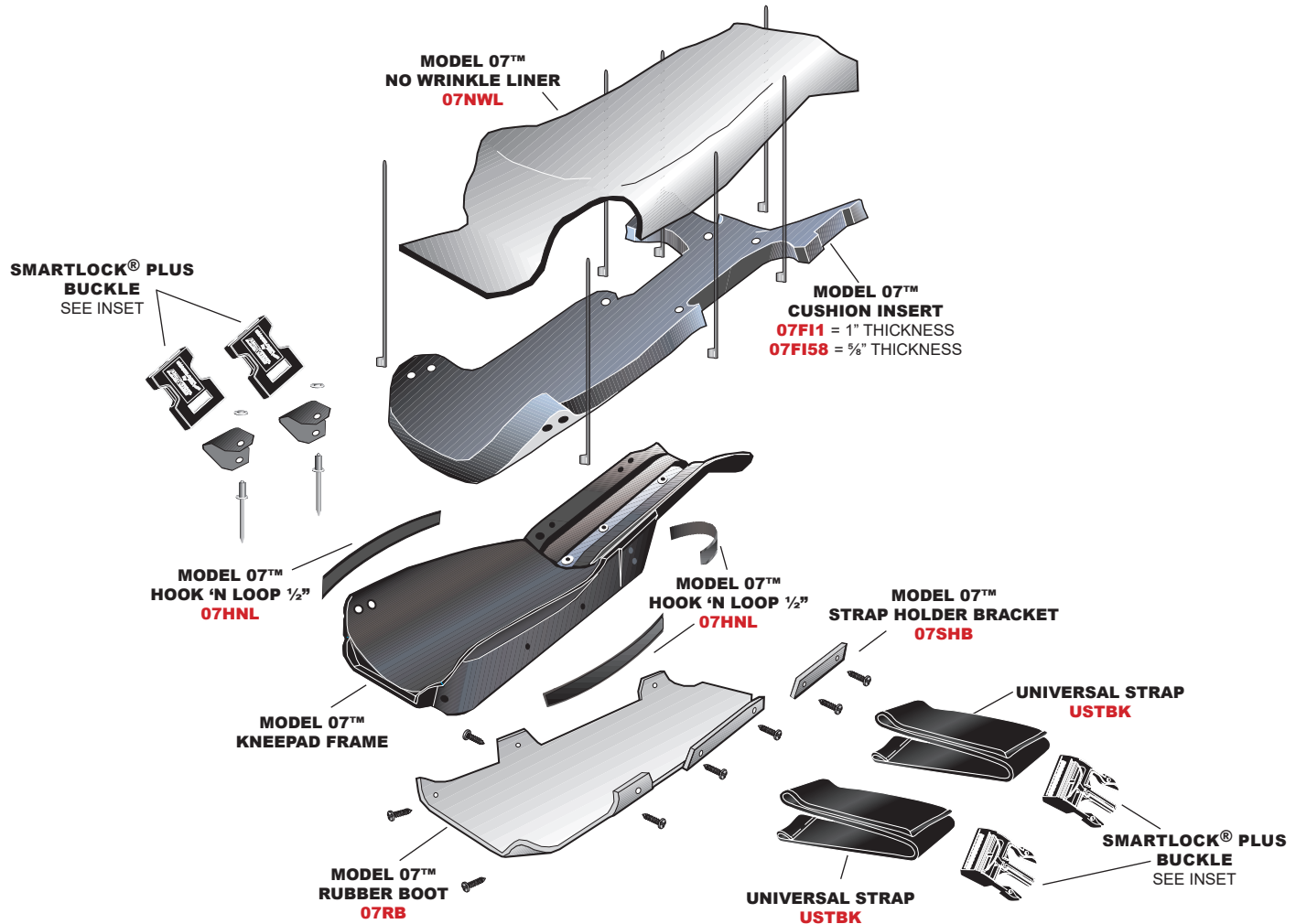


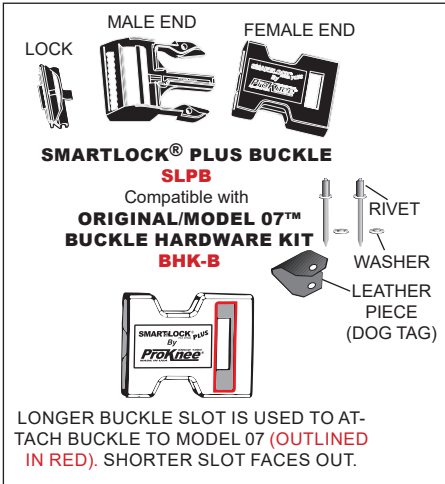
Please refer to this model number when ordering parts.

SKU CODES DENOTED IN RED FOR ORDER EFFICIENCY



Works with all custom fit models past & present and replaces all straps with hook 'n loop*.
 For custom length, cut excess strap length & leave 3". Singe cut end with lighter to prevent fraying.
 *Straps with hook 'n loop available for purchase upon special order request

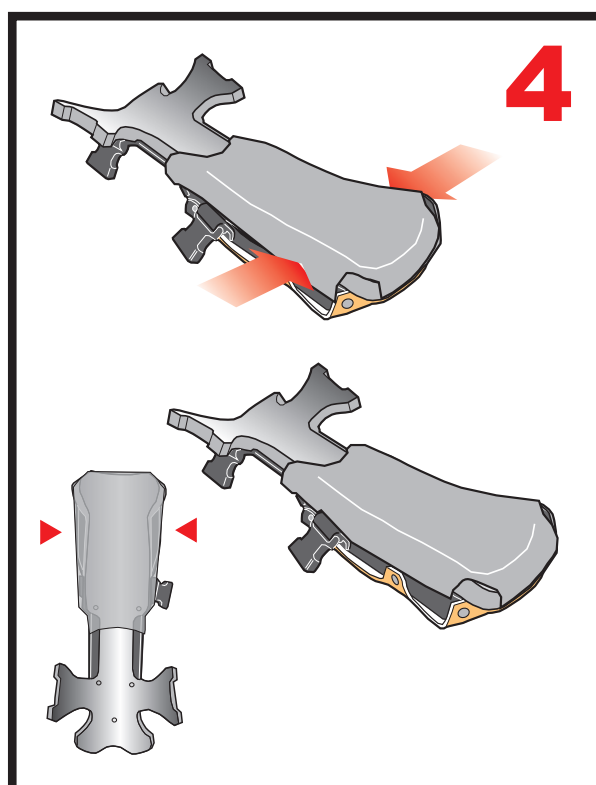
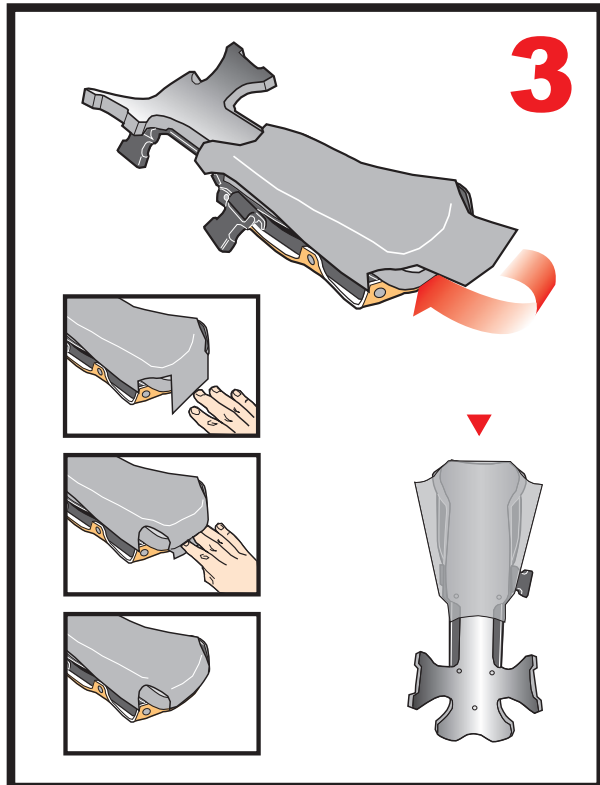
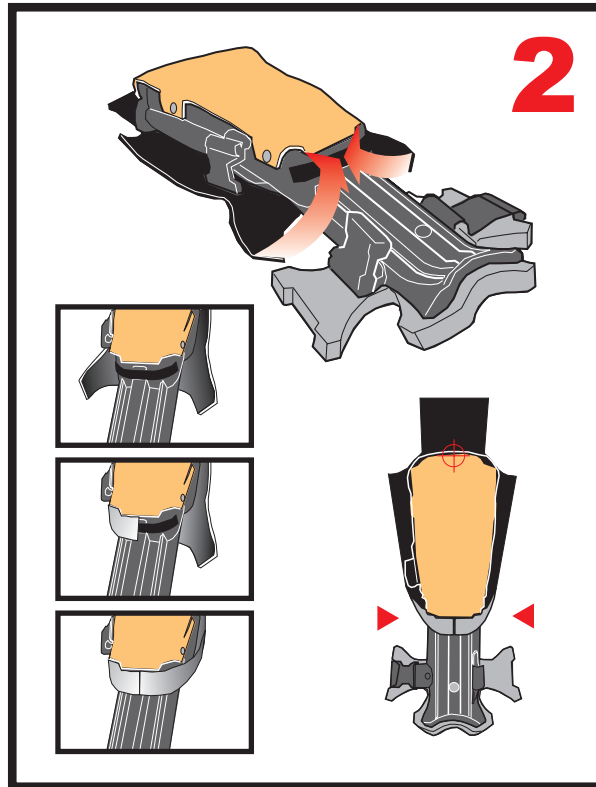
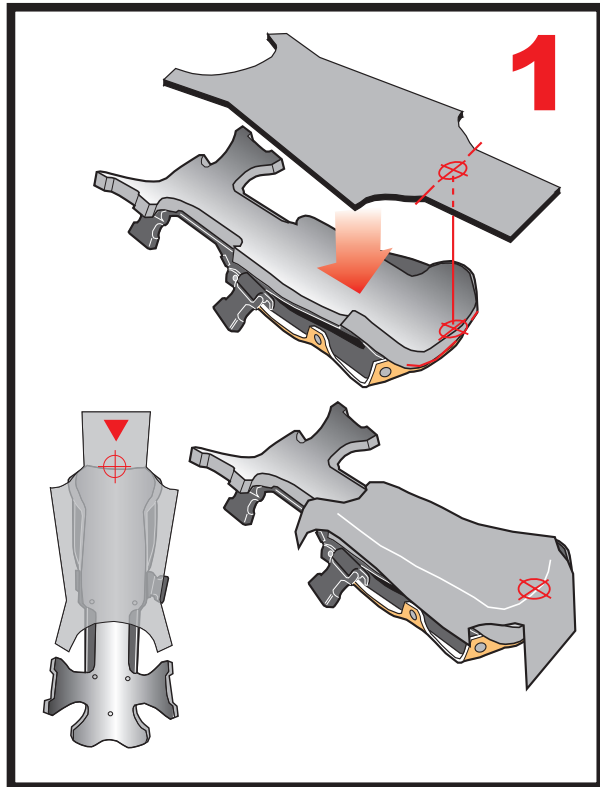
INSET





INNOVATION YOU CAN TRUST

PRO KNEE[®] MODEL 07[™] REPLACING NO WRINKLE LINER



@PROKNEE @PROKNEE.TREADMAN WWW.PROKNEE.COM @MR.PROKNEE @PROKNEE CORP

PRO KNEE[®] 0714 0714E[®] AP16[®] SMARTLOCK[®] are Registered Trademarks of PROKNEE[®] CORP. U.S. Patent Numbers 4772071, 4876745, 7937769, 10441007, 8561311, 11051566. Other Patents Pending. CANADA Patent Number 2617789, 2895405. EUROPEAN Patent Number 2941136

